

ECLATEC

XEON





Configuration

XEON TOP spigot
Column height: 5 m



Configuration

XEON in clusters
TOP Spigot
Column height: 6 m



Configuration

Tilted column
Column height: 7 m



Configuration

XEON wall bracket



Configuration

Needle column
Column height: 8 m

XEON FLOODLIGHT



XEON 1
Conical mount

INTRODUCTION:

ECLATEC XEON is a comprehensive floodlight and IoT system that provides the backbone of a SMART city/campus. Via the addition of a range of mounting and functional components and accessories, XEON can be adapted to the needs of any project. The contiguous design permits specifiers to establish a unified look and feel throughout a neighbourhood. Available in a number of colours and mountings to suit different pole designs.

DESCRIPTION

Product name	XEON 1	XEON 2	XEON 3
Housing	Injection die-cast aluminium body		
Bowl	Thermally toughened glass		
Finish	Polyester powder coating, any colour available		
Impact protection	IK 09	IK 10	
Ingress Protection	IP66 Extruded silicone gasket Cable gland with anchoring device Breathing system with activated carbon filter		
Dimensions (dia x h)	200 x 178 mm	240 x 209 mm	300 x 262 mm
Weight	3.3kg	3.9kg	5.5kg
Windage area	0.03m ²	0.04m ²	0.06m ²
Electrical class	Class I or II		
Wiring	Luminaire pre-wired in the factory		

OPTICAL OPTIONS

Sources	COB	XEON
Colour temperature	2700 K, 3000 K, 4000 K	
Optical Distribution	UNILENS	ORALENS
	PFI, PFM, PFL	PFI, PFM, PFL, ERS, ERL
Power supply current	Adjustable up to 700 mA	

LED Module
(ORALENS type)

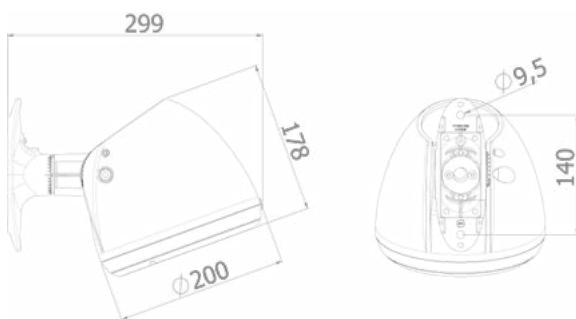


LED Module
(UNILENS type)

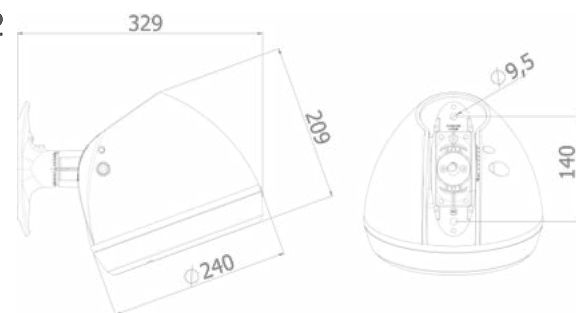


DIMENSIONS

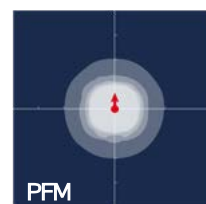
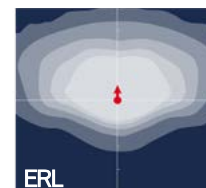
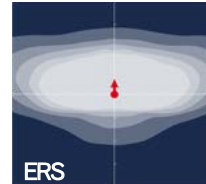
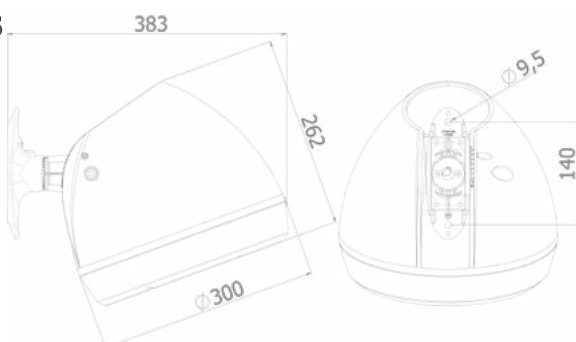
Xeon 1



Xeon 2



Xeon 3





XEON 2
Conical mount



XEON 3
Conical mount



CONTROL OPTIONS

XEON by Eclatec represents the latest in control systems, both centralised and decentralised. Adjustable current on the driver or at the bottom of the pole. Dimming as above as well as via bluetooth and DALI Protocol. All form factors support remote detection. Smart-Ready^(R) configuration (ZD4i). When used with a local network, communication can be detected with a pilot wire and/or wireless communication sensing. Remote management via WIZARD CMS system. Details of the functions available on enquiry.

MAINTENANCE

Projector opening with 3 captive screws (safety wire). Rapid electrical disconnection without tools. Removable LED module on site.

MOUNTING OPTIONS



Mounting for conical or cylindro-conical pole

Tilts:

Position indicators in increments of 5°

- Adjustment on the horizontal plane: -60° to +60° with end stop, screw lock

- Max. adjustment on the vertical plane: 0° to +75°, screw lock



Wall bracket via specific slider

Spacing: 140 mm



Lateral mounting bracket

Tilts:

- Adjustment in the horizontal plane: -75° to +75° (illumination upward or downward), ATTENTION graduations range only from -40° to +40° with limit stop, locked by screw

Max adjustment in the vertical plane:

XEON 1: -15° to +60°, locked by screw

XEON 2: -15° to +65°, locked by screw

XEON 3: -15° to +70°, locked by screw



XEON Top penetrating fixing for pole $\phi 60$ / $\phi 62$ mm x 324mm.

XEON 1: from 5° to 85°, h = 184 to 345 mm

XEON 2: from 5° to 90°, h = 164 to 365 mm

XEON 3: from 5° to 95°, h = 128 to 397 mm



Post top bracket, outreach 515 mm for XEON 1, 538 mm for XEON 2 and 578 mm for XEON 3

ACCESSORIES



Anti-glare grill



Visors



Canon



XEON RGBW
Conical mount

XEON RGBW

Product name	XEON 1	XEON 2	XEON 3
Applications	Heritage building enhancement, illumination, visual accentuation		
Static colours	Monochromatic lights, red, green, blue, white and combinations of these four colours		
Chromatic variations	Chromatic variations		
Control	DMX protocol (DALI protocol on request)		
Programmation	Optional programming of the driver, for fixed colours or chromatic variations, using a programming module		
Wiring	Prewiring of DMX in the factory		
Watts/lumens	Click to view		

XEON 1

Intensity (mA)	700	
Optical Distribution	PFL (Aperture at $I_{max}/2 = 36^\circ$) PFM Aperture at $I_{max}/2 = 22^\circ$)	
Color	Outgoing flow (lm)	Power (W)
Red	160	10
Green	360	11
Blue	85	11,5
White	590	11

XEON 2

Intensity (mA)	700	
Optical Distribution	PFI with 10° diffuser or 30° diffuser	
Color	Outgoing flow (lm)	Power (W)
Red	650	15
Green	940	18
Blue	235	18
White	925	18

XEON 3

Intensity (mA)	700	
Optical Distribution	PFI with 10° diffuser or 30° diffuser	
Color	Outgoing flow (lm)	Power (W)
Red	490	11
Green	710	13,5
Blue	180	13,5
White	700	13,5



XEON IoT OPTIONS



XEON
Fixed camera



XEON
CCTV camera



XEON
Loudspeaker

CCTV CAMERAS

XEON 2 and 3 can integrate CCTV cameras, connected via Web browser, operating day and night.

Product name	XEON 2	XEON 3
Protocol	Compatible with the protocol defined by ONVIF (Open Network Video Interface Forum: open protocol) and therefore compatible with most security systems	
Connection	Internet connection allowing viewing from a control station	
Resolution	Full HD 1920x1080, digital zoom, optimization of image quality	
Recording	Possible on SD card	
Power supply	PoE ou DC	
Functionality	Detection	
Impact protection	IP 66	
Ingress Protection	IK 10	
Working temperature	-20°C to +50°C	
Power	8 to 10W	

PUBLIC ADDRESS SYSTEM

XEON 2 and 3 can integrate a loudspeaker allowing voice messages, information or music to be broadcast. This 100 V analog sound system is connected to an on-site audio amplifier, which provides power directly to the speaker. The audio amplifier is also connected to the audio source.

Product name	XEON 2	XEON 3
Finitions	Polyester powder coating, any colour available	
Electroacoustic system	<ul style="list-style-type: none"> - Transformer 50 W - Impedance 8 Ω - Sound pressure level 89 dB (1 W / 1 m) to 17 kHz - Frequency response of 250 Hz to 7000 Hz - Working temperature: -40°C à +120°C 	

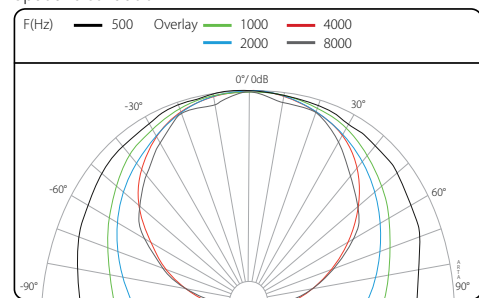


Fixed camera
A discreet solution, with a fixed SAMSUNG camera entirely integrated into the projector and three compatible lenses according to the installation height, the field of view and the area of coverage.

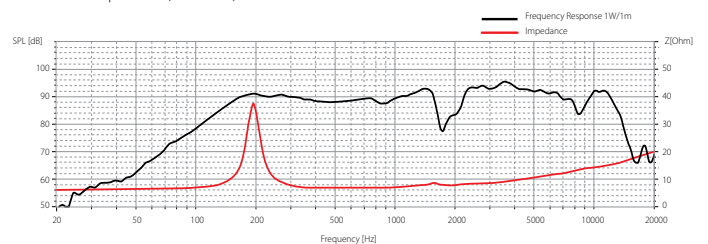


CCTV camera
A dissuasive and visible solution, with an AXIS PTZ camera offering panoramic vision and the possibility of horizontal and vertical movement, allowing objects to be tracked on the move.

Spatial distribution



Acoustic pressure (1 W / 1 m)



XEON GOBO PROJECTOR



XEON 3
GOBO Projector

GOBO

XEON 3 can integrate a GOBO projector capable of projecting monochrome or multicolored black and white images or messages up to 12 m. In order to provide maximum resolution, the optics of GOBOs Floodlights are made of dichroic glass, allowing superior flexibility of colours and light effects, including metallic or pastel colours (metallic GOBOs available). In addition, the 5500K LED source with IRC 80 provides crisp, clear projection with perfect colour rendering, regardless of the surrounding environment.

Product name	XEON 3
Housing	Injection cast aluminium body, module and mechanical interfaces
Bowl	Heat-tempered and screen-printed glass bowl
Finish	In polyester powder coating, in a choice of colours
Power	34 W
Impact protection	IK 10
Ingress Protection	IP 66
Weight	6.8kg
Windage area	0.06m ²
Electrical class	Class I only
Wiring	Pre-wired in the factory

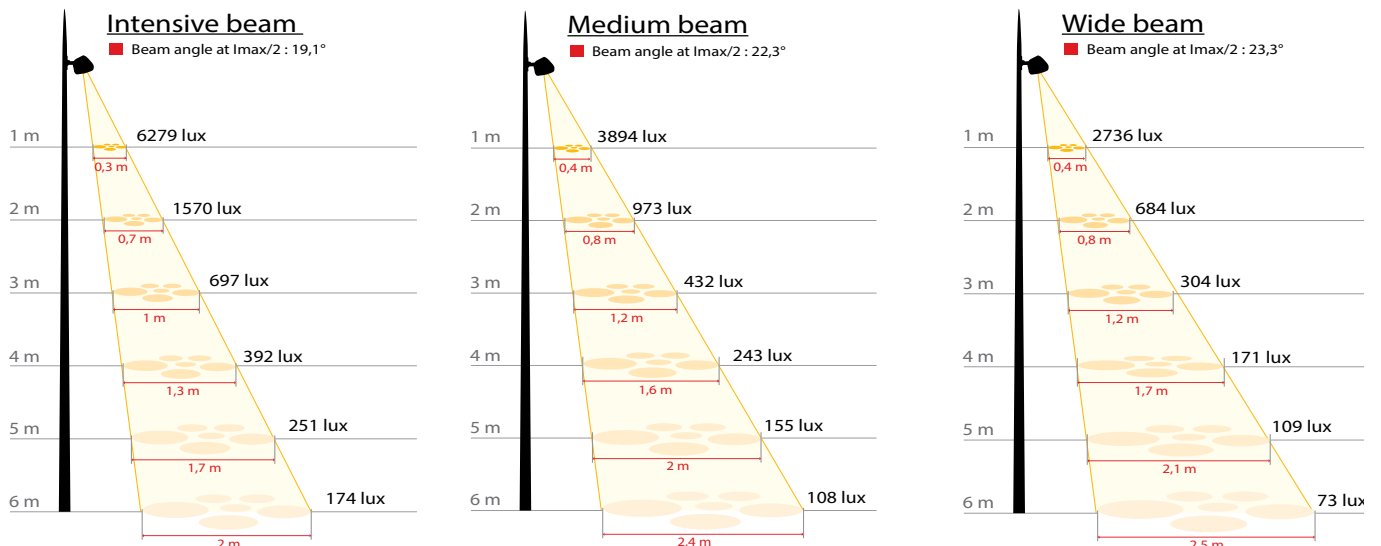


INSTALLING / CHANGING THE GOBO

Opening	Open the XEON via the three captive screws on the front panel to access the internal projector
Installation	Easy installation of the GOBO in the projector following instructions
Adjustment	Adjust the focus by turning the lens (by first unscrewing the locking screw, and tightening it after adjustment)

LENS CHOICE

Three lenses allow a great diversity between the size of the projected graphics and the projection distance. In general, for the same projection distance, the larger the angle of opening, the larger the projected area, and the less bright the projected image.



XEON GOBO PROJECTOR



XEON 3
GOBO Projector

RENDERINGS, EFFECTS & PATTERNS

A large library of figurative GOBO patterns such as foliage or clouds, as well as abstract patterns, are available on request. ECLATEC can also create personalized patterns on any theme, or using a photo, as requested by the customer.

IN STEEL

Disk cut to pattern, logo, with text required. This is the least expensive solution for colourless projection.

Examples of existing patterns:



APPLICATIONS:



Projection of patterns on the ground

IN GLASS

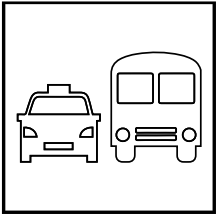
The colored GOBOs are formed by superimposing layers of dichroic glass with engraved shapes, to mix the colours necessary for the image by subtraction. These custom glass GOBOs are ultra-thin (1.1mm thick for monochrome and black and white models, and 1.9mm for multicolored models), providing excellent image projection.

Examples of existing patterns:



Projection of messages on buildings





FÖS
lighting

info@foslighting.com.au

foslighting.com.au

1300 241 087

FOS Lighting reserves the right to make any changes without prior notification